

AC Current Probe Model MN03

User Manual

DESCRIPTION

The MN03 (Cat. #2129.18) is small, compact AC current probe. Designed to meet the most stringent demands in industry and electrical contracting, they also meet the latest safety and performance standards. The probe has a measurement range up to 100Arms which makes it a perfect tool for measurement with DMMs, recorders. The Model MN03 is compatible with any voltmeter, multimeter, or other current measurement instrument with an input impedance greater than 1M Ω . To achieve the stated accuracy, use the probe with a voltmeter having an accuracy of 0.75% or better.

WARNING

These safety warnings are provided to ensure the safety of personnel and proper operation of the instrument.

- Read the instruction manual completely and follow all the safety information before attempting to use or service this instrument.
- Use caution on any circuit. Potentially high voltages and currents may be present and may pose a shock hazard.
- Read the Safety Specifications section prior to using the current probe. Never exceed the maximum voltage ratings given.
- Safety is the responsibility of the operator.
- ALWAYS connect the current probe to the display device before clamping the probe onto the sample being tested.
- ALWAYS inspect the instrument, probe, probe cable, and output terminals prior to use. Replace any defective parts immediately.
- NEVER use the current probe on electrical conductors rated above 600V in overvoltage category III (CAT III). Use extreme caution when clamping around bare conductors or bus bars.

INTERNATIONAL ELECTRICAL SYMBOLS



This symbol signifies that the current probe is protected by double or reinforced insulation. Use only factory specified replacement parts when servicing the instrument.



This symbol signifies CAUTION! and requests that the user refer to the user manual before using the instrument.



This is a type A current sensor. This symbol signifies that application around and removal from HAZARDOUS LIVE conductors is permitted.

DEFINITION OF MEASUREMENT CATEGORIES

CAT IV: For measurements performed at the primary electrical supply (<1000V) such as on primary overcurrent protection devices, ripple control units, or meters.

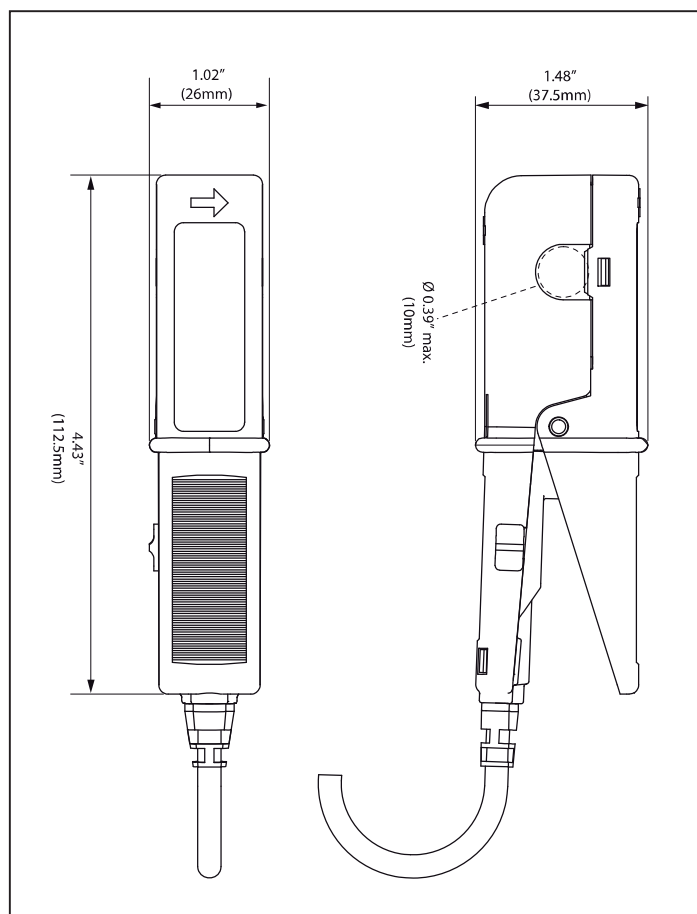
CAT III: For measurements performed in the building installation at the distribution level such as on hardwired equipment in fixed installation and circuit breakers.

CAT II: For measurements performed on circuits directly connected to the electrical distribution system. Examples are measurements on household appliances or portable tools.

RECEIVING YOUR SHIPMENT:

Upon receiving your shipment, make sure that the contents are consistent with the packing list. Notify your distributor of any missing items. If the equipment appears to be damaged, file a claim immediately with the carrier and notify your distributor at once, giving a detailed description of any damage.





ELECTRICAL SPECIFICATIONS

Nominal Range: 100A

Measurement Range: 1 to 100AAC

Output Signal: 1mVAC/AAC (100mV @ 100A)

Accuracy and Phase Shift*:

Accuracy: 2% Reading \pm 50mA

Phase Shift: Not Specified

**Reference conditions: 18°C to 28°C, 20 to 75% RH, external magnetic field <40 A/m, 48 to 65 Hz sine wave, distortion factor less than 1%, no DC component, no external current carrying conductor, test sample centered. Load impedance 1M Ω*

Overload: 150A permanent

Frequency Range: 48 to 500Hz

Working Voltage: 600Vrms

Common Mode Voltage: 600Vrms

Influence of Adjacent Conductor:
< 2mA/A at 50Hz

Influence of Conductor Position in Jaw:
0.1% of mV output @ 50/60Hz

Influence of Frequency:

< 1% of mA output from 65 to 500Hz

Influence of Temperature:

≤ 0.2%/10°K

Influence of Humidity (10 to 90% RH):

≤ 0.1% of mA

MECHANICAL SPECIFICATIONS

Operating Temperature:

14° to 122°F (-10° to +50°C)

Storage Temperature:

-40° to 176°F (-40° to +80°C)

Maximum Cable Diameter:

One Ø 0.39" (10mm)

Case Protection:

IP 40 (IEC 529)

Drop Test:

Test per IEC 68-2-32:
1.0m drop on 38mm of Oak on concrete

Mechanical Shock:

Test per IEC 68-2-27

Vibration: Test per IEC 68-2-6

Dimensions:

4.43 x 1.48 x 1.02"
(112.5 x 37.5 x 26mm)

Weight:

180 g (6.5 oz)

Polycarbonate Material:

Jaws: Red Polycarbonate
Case: Dark Polycarbonate

Opening Operations - Life:

> 50,000

Output:

Double/reinforced insulated 5 ft (1.5m) lead with
safety 4mm banana plug

Altitude: <2000 m

Indoor use only

SAFETY SPECIFICATIONS



Electrical:

Conforms to IEC 1010-2-32. ed. 2 2003

Common Mode Voltage:

300V CAT IV, 600V CAT III, Pollution Degree 2

Electromagnetic Compatibility:

EN61326-1 (ed. 97)+A1 (ed. 98) : transmission
and immunity in an industrial site

ORDERING INFORMATION

AC Current Probe MN03 Cat. #2129.18

Accessories:

Banana plug adapter
(to non-recessed plug) Cat #1017.45

OPERATION

Please make sure that you have already read and fully understand the WARNING section on page 1.

Making Measurements with the AC Current Probe Model MN03

- Connect the black lead of the current probe to "common" and the red lead to the AC voltage input on your DMM or other current measuring instrument. Select the appropriate current range (400mVAC range). Clamp the probe around the conductor to be tested. Select the lower range until you obtain the best resolution. Read the value display on the DMM and multiply it by the probe ratio (1000/1). (If reading = 59mV, the current flowing through the probe is $59 \times 1000 = 59A$)
- For best accuracy, avoid if possible, the proximity of other conductors which may create noise.

Tips for Making Precise Measurements

- When using a current probe with a meter, it is important to select the range that provides the best resolution. Failure to do this may result in measurement errors.
- Make sure that probe jaw mating surfaces are free of dust and contamination. Contaminants cause air gaps between the jaws, increasing the phase shift between primary and secondary. It is very critical for power measurement.

MAINTENANCE:

Warning

- For maintenance use only original factory replacement parts.
- To avoid electrical shock, do not attempt to perform any servicing unless you are qualified to do so.
- To avoid electrical shock and/or damage to the instrument, do not get water or other foreign agents into the probe

Cleaning

To ensure optimum performance, it is important to keep the probe jaw mating surfaces clean at all times. Failure to do so may result in error in readings. To clean the probe jaws, use very fine sand paper (fine 600) to avoid scratching the jaw, then gently clean with a soft oiled cloth.

REPAIR AND CALIBRATION

You must contact our Service Center for a Customer Service Authorization number (CSA#). This will ensure that when your instrument arrives, it will be tracked and processed promptly. Please write the CSA# on the outside of the shipping container.

(Or contact your authorized distributor)

NOTE: All customers must obtain a CSA# before returning any instrument.

TECHNICAL AND SALES ASSISTANCE

If you are experiencing any technical problems, or require any assistance with the proper use or application of this instrument, please contact our technical hotline:

LIMITED WARRANTY

The current probe is warranted to the owner for a period of two years from the date of original purchase against defects in manufacture. This limited warranty is given by AEMC® Instruments, not by the distributor from whom it was purchased. This warranty is void if the unit has been tampered with, abused or if the defect is related to service not performed by AEMC® Instruments.

Full warranty coverage and product registration is available on our website at:

Please print the online Warranty Coverage Information for your records.

99-MAN 100333.v3 03/18